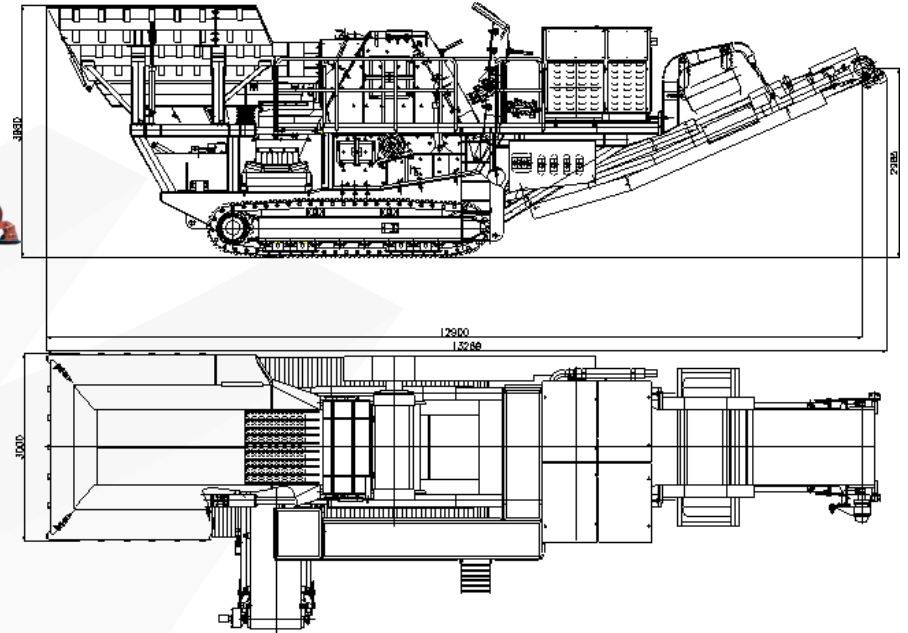
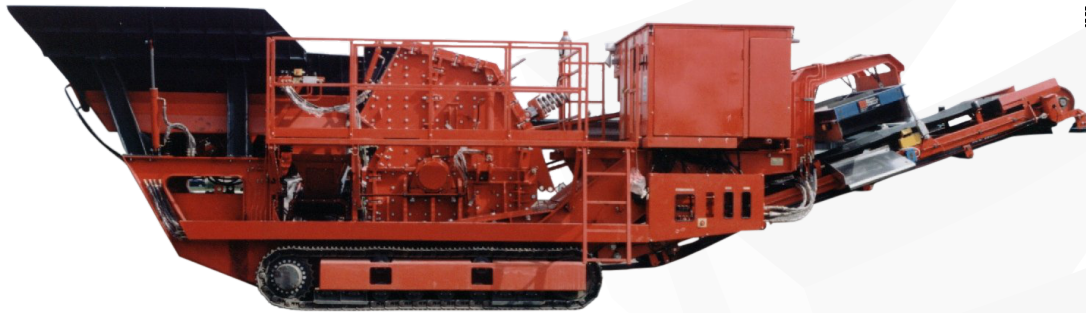


KGHM ZANAM

IMPACT CRUSHING PLANT (CRAWLER) ZKDUh 120/130



Specifications

Drive of crushing module:	classic (hydrokinetic coupling)
Efficiency:	up to 110 m ³ /h (debris) up to 70 m ³ /h (granite)
Maximum feed size:	700 mm
Degree of fineness:	1:10 ÷ 1:50
Weight:	45 Mg
Combustion engine power rating at 2100 RPM:	294 kW

Main features:

- ◆ adjusted for maintenance-free operation,
- ◆ constant monitoring of working time and economical fuel consumption (*optional accessory*),
- ◆ maximum efficiency of crushing module automatically adjusts to actual load.