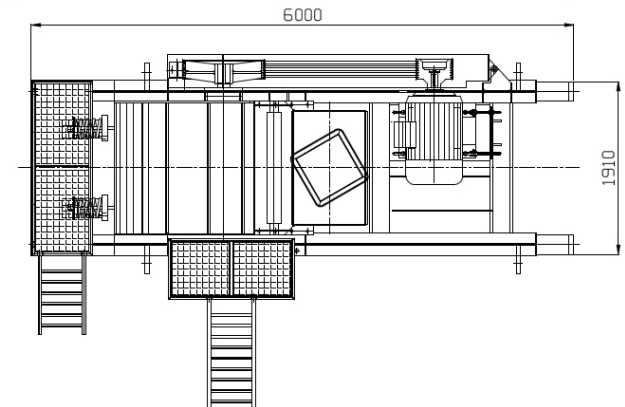
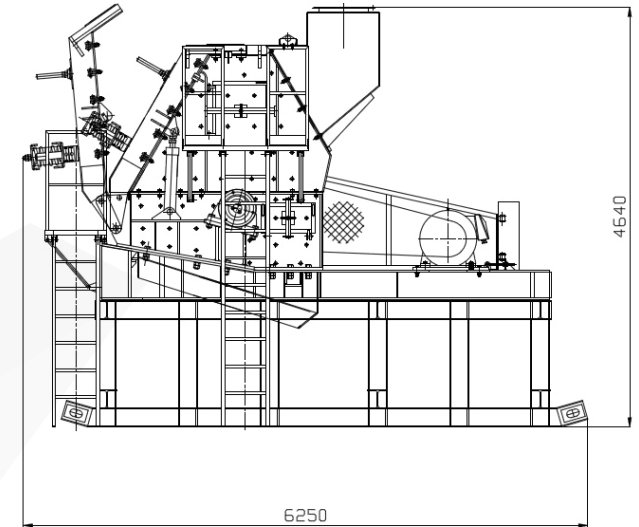
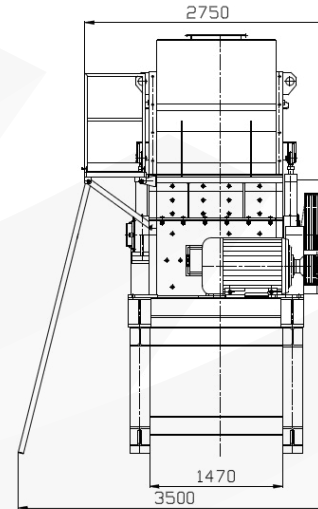


KGHM ZANAM

IMPACT CRUSHING PLANT KDU 120/130E



Specifications

Drive:	electric drive of all modules
Efficiency:	up to 110 m ³ /h (debris) up to 70 m ³ /h (granite)
Maximum feed size:	700 mm
Degree of fineness:	1:10 ÷ 1:50
Weight:	22,1 Mg
Combustion engine power rating at 1490 RPM:	160 kW