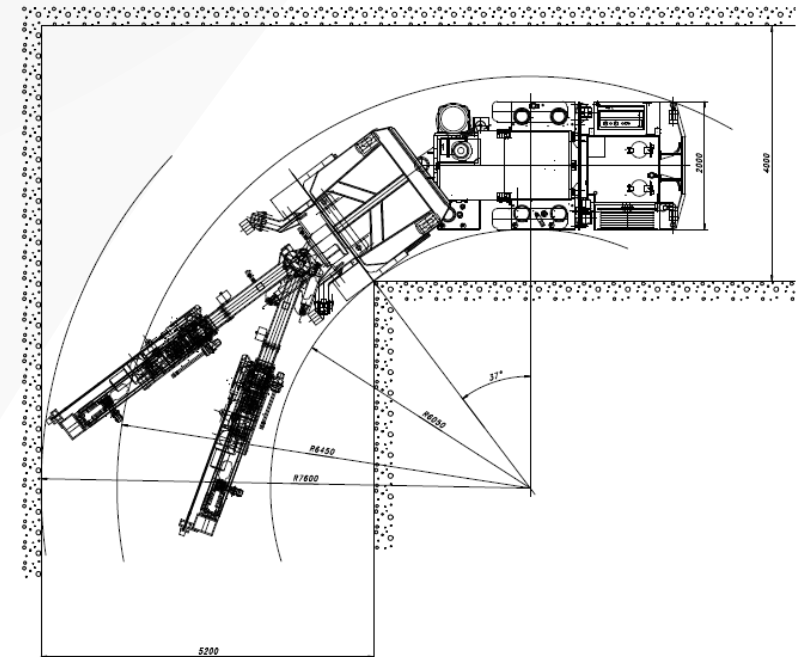
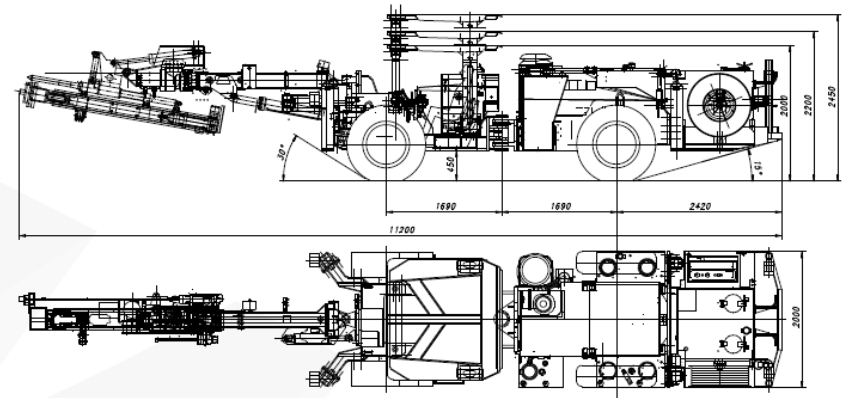


KGHM ZANAM

SELF-PROPELLED ROOF BOLTING TRUCK SWKN-1/1C



Length:	11 200 mm
Width:	2 000 mm
Height:	2 000 mm
Total weight:	14 700 kg
Bolt length:	1,6 m or 1,8 m
Diameter of drilled: hole	28 ÷ 38 mm
Power rating:	74 kW
Driving speed: (forward/reverse)	1st gear 6,0 km/h 2nd gear 12,0 km/h