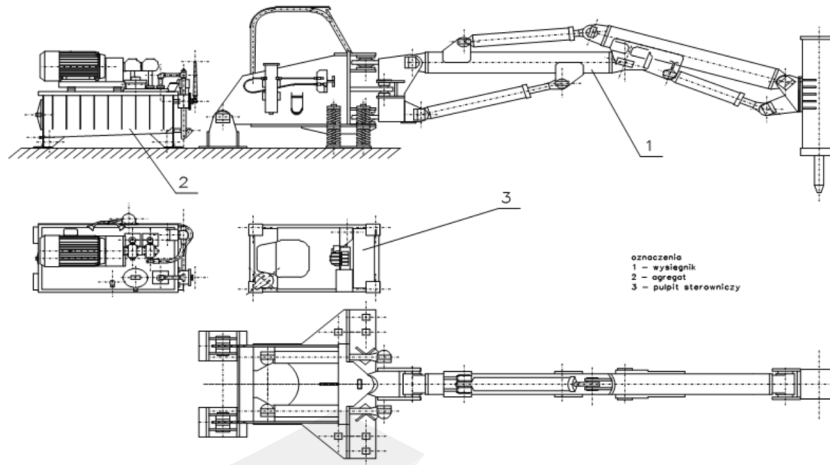


KGHM ZANAM

STATIONARY ROCK BREAKER TYPE URB/ZS-1R



MINING EXCAVATION'S PARAMETERS

Height min. 5,0 m

Width min. 6,0 m

Length min. 10,0 m

TECHNICAL DATA OF URB DEVICE

Boom's reach 4 700 mm

Boom's turning angle $\pm 40^\circ$

Total weight ca. 7 000 kg

HYDRAULIC HAMMER PARAMETERS

Impact energy (range) 400 J ÷ 1 900 J

Working pressure (range) 10 MPa ÷ 17 MPa

Oil flow (range) 20 l/min. ÷ 120 l/min.