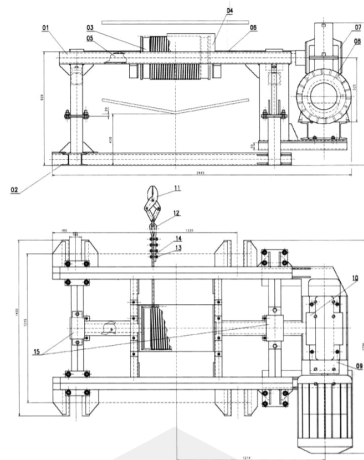


KGHM ZANAM

BELT WINCH WT/22/03



DRIVE UNIT

Motor power 22 kW

Voltage 500 V

Synchronic rotations 1 000 rpm

Reducer's output torque 4 124 Nm

ROPE

Nominal ripping strength 172,5 kN

Peripheral power on a drum 23,4 kN

Safety ratio 7,4

Number of rope layers 1

Diameter of rope 16 mm

Drum capacity 25 m